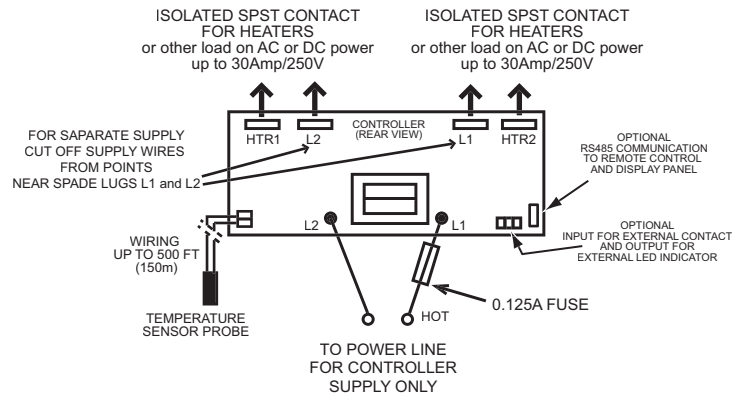


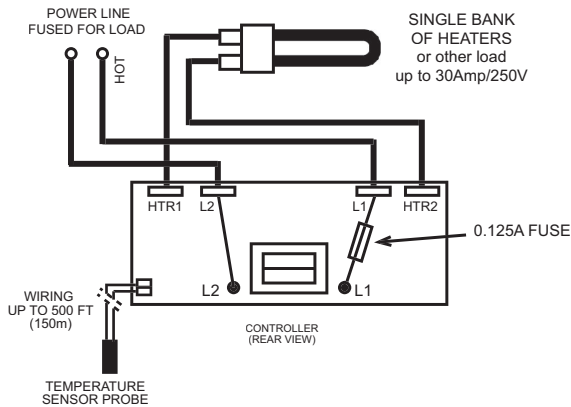
WIRING FOR HIGH POWER HEATERS OR OTHER LOAD USING EXTERNAL CONTACTOR

W1



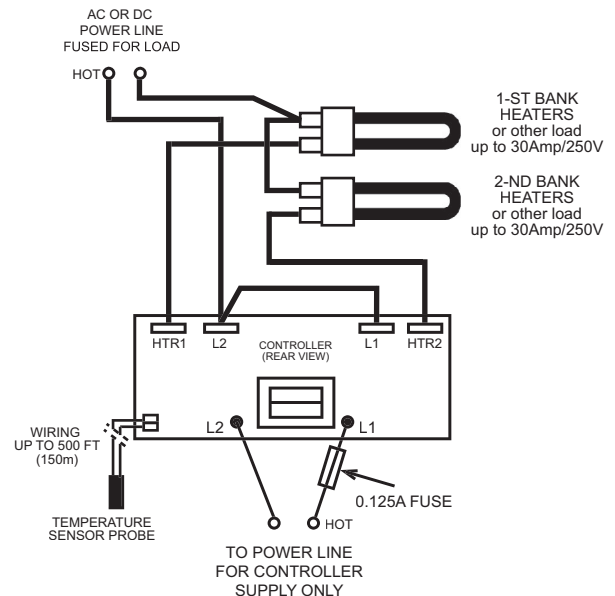
GENERAL WIRING USING 2 ON-BOARD RELAYS AND WITH SEPARATE SUPPLY FOR CONTROLLER (Loads are isolated from each other and from controller supply)

W2



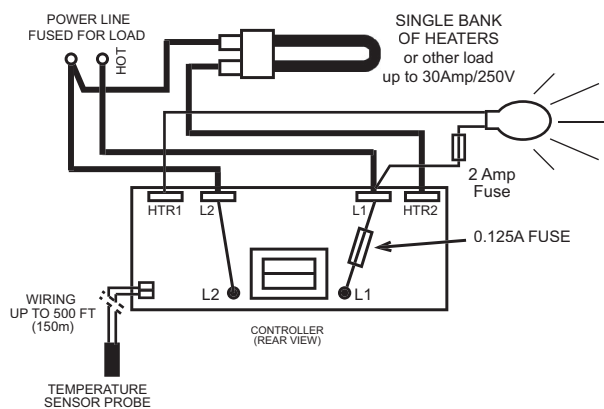
SIMPLE WIRING FOR HEATERS OR OTHER LOAD

W3



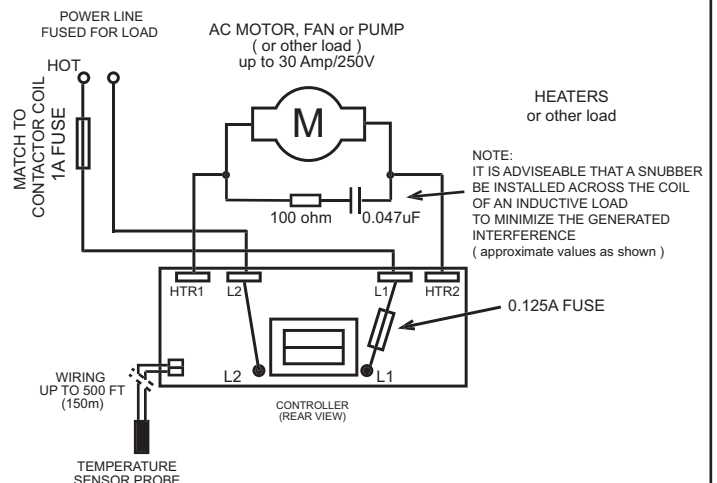
ALTERNATE WIRING FOR HIGH POWER AC or DC LOADS IN TWO BANKS AND WITH SEPARATE SUPPLY FOR CONTROLLER (Load is isolated from controller supply)

W4



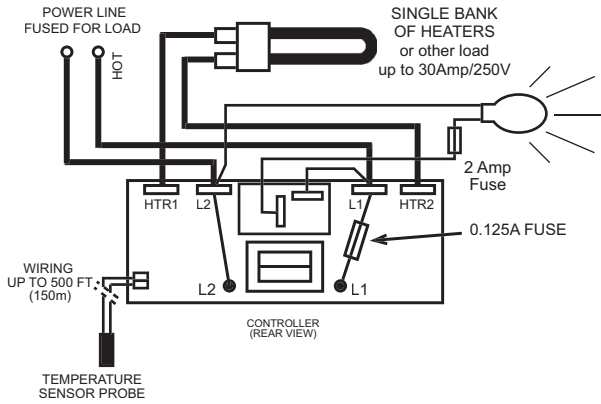
WIRING FOR LIGHT (OR OTHER LOAD) ON THE SAME POWER LINE AS HIGH POWER LOAD WITHOUT ADDITIONAL RELAY

W5

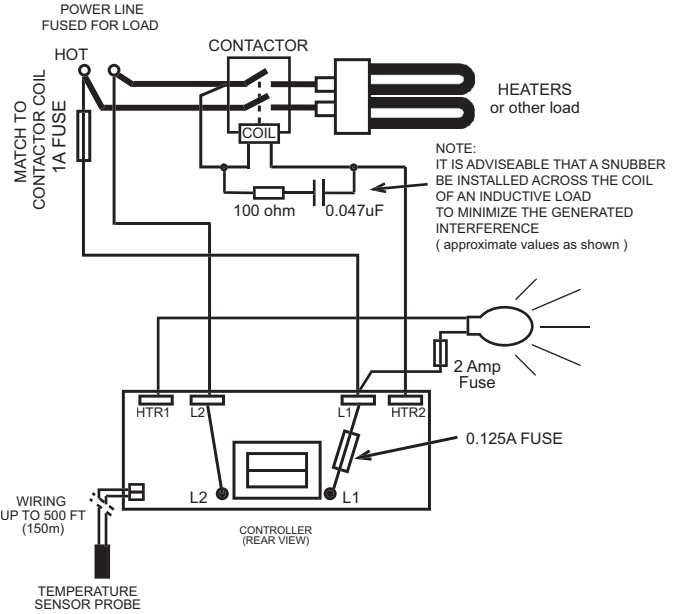


SIMPLE WIRING FOR HIGH POWER AC MOTOR (OR OTHER LOAD)

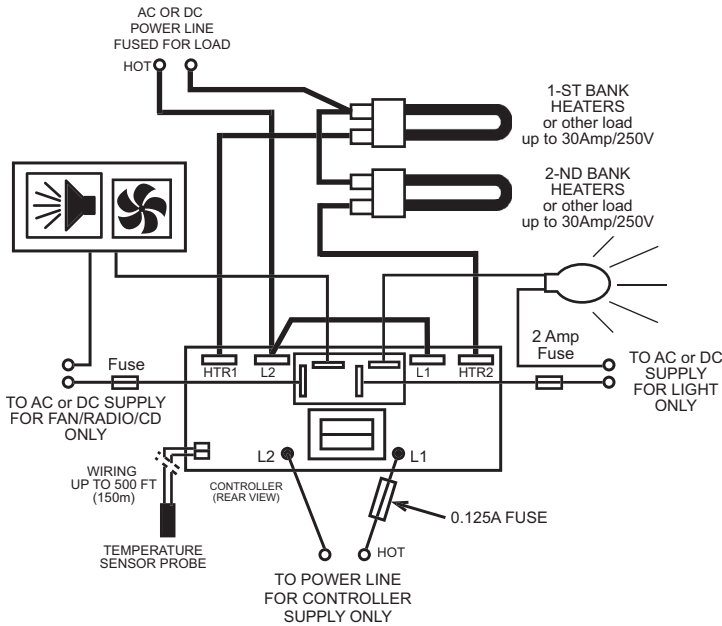
W6



W7
WIRING WITH ADDITIONAL LIGHT RELAY
ON THE SAME POWER LINE AS HEATERS (OR OTHER LOAD)
(Controller with optional Additional Auxilliary Relay)

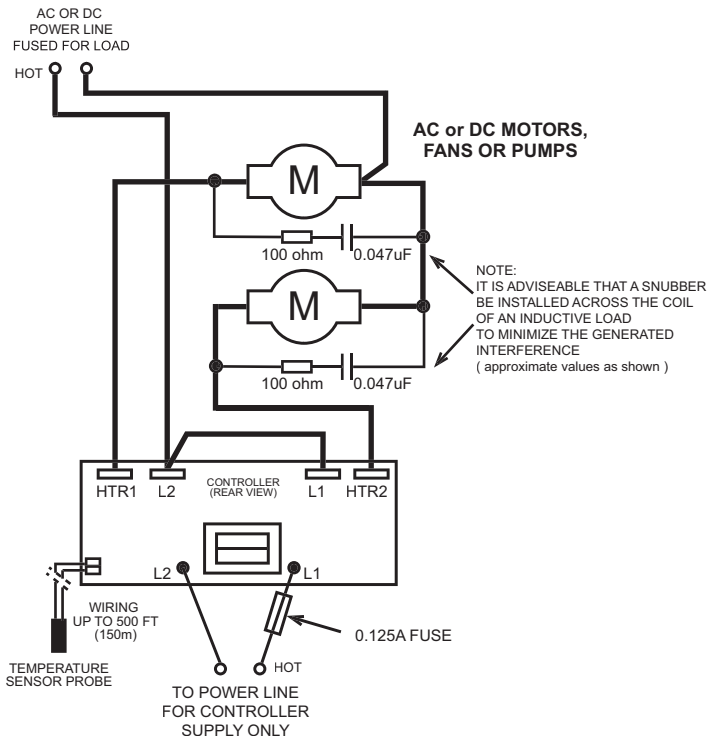


W8
WIRING FOR VERY HIGH POWER HEATER (OR OTHER LOAD)
USING EXTERNAL CONTACTOR
AND FOR LIGHT (OR OTHER LOAD)

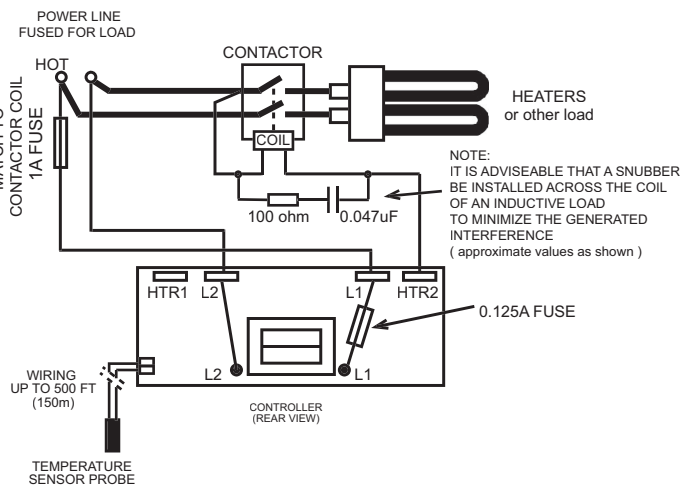


- WIRING FOR:**
1. AC or DC HIGH POWER HEATERS (or other load) IN TWO BANKS
 2. + SEPARATE AC or DC LIGHT CONTROL
 3. + SEPARATE AC or DC FAN / RADIO / CD CONTROL
 4. + SEPARATE SUPPLY FOR CONTROLLER
- (Loads are isolated from each other and from controller supply)

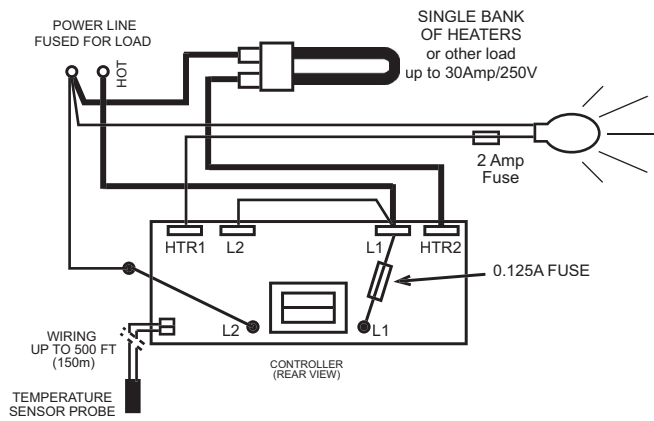
W9
(Controller with optional 2 Additional Auxilliary Relays)



W11
WIRING FOR 2 HIGH POWER AC or DC MOTORS (or other load)
AND WITH SEPARATE SUPPLY FOR CONTROLLER
(Load is isolated from controller supply)

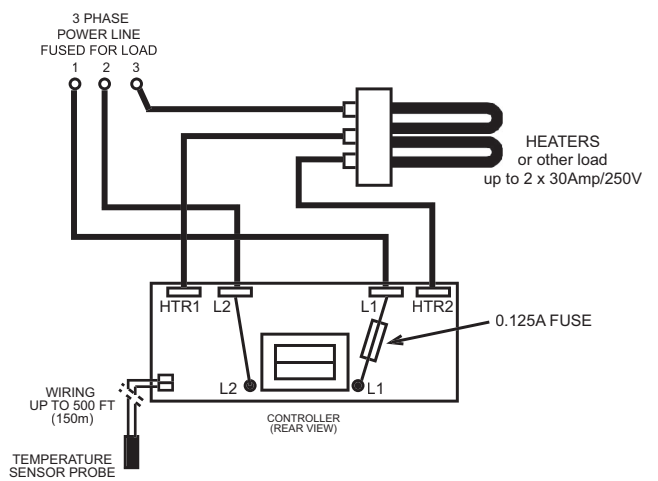


W10
WIRING FOR HIGH POWER
HEATERS (or other load) USING EXTERNAL CONTACTOR
AND USING ONLY 1 ON-BOARD RELAY



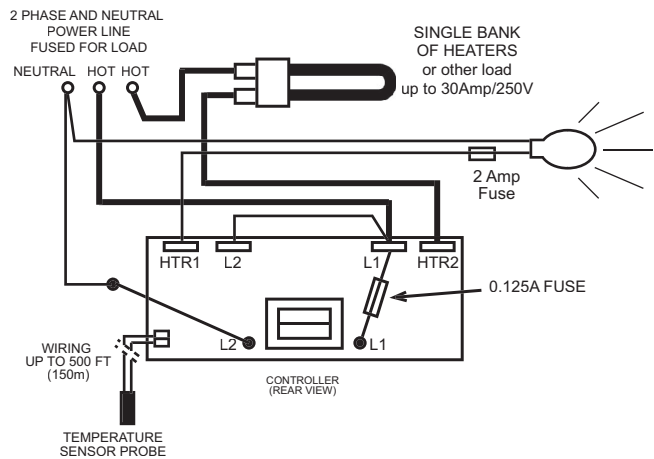
**WIRING FOR LIGHT (or other load)
ON THE SAME POWER LINE AS HEATERS (or other high power load)
WITHOUT ADDITIONAL RELAY**

W12



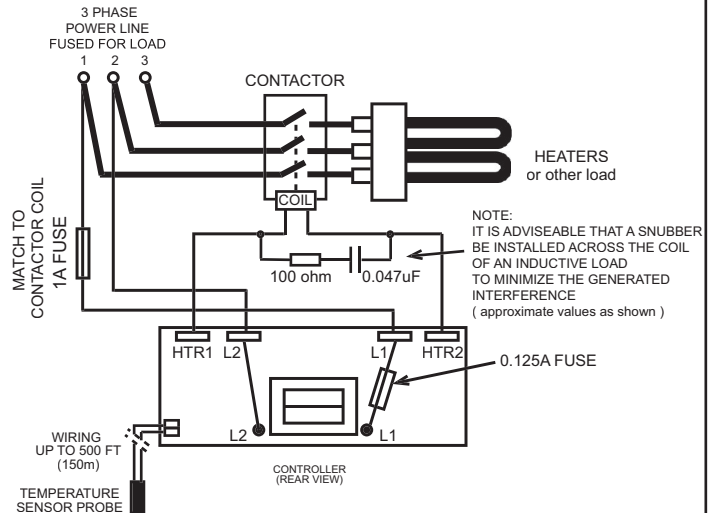
**WIRING USING 3 PHASE POWER LINE
FOR HIGH POWER HEATERS (or other load)**

W13



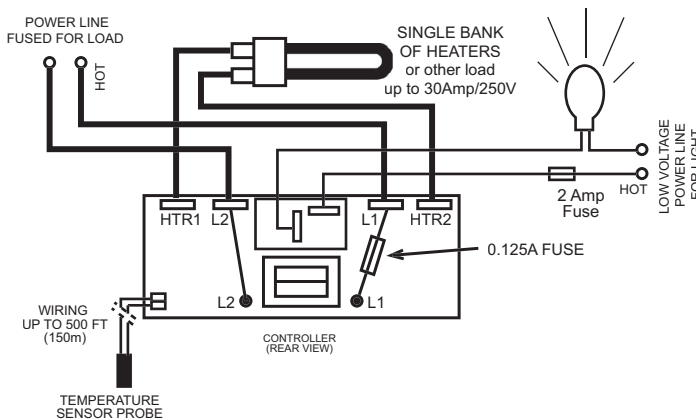
**WIRING FOR LIGHT (OR OTHER LOAD)
ON LOW VOLTAGE POWER LINE
AND HEATERS (OR OTEHER LOAD) ON HIGH VOLTAGE POWER LINE**

W14



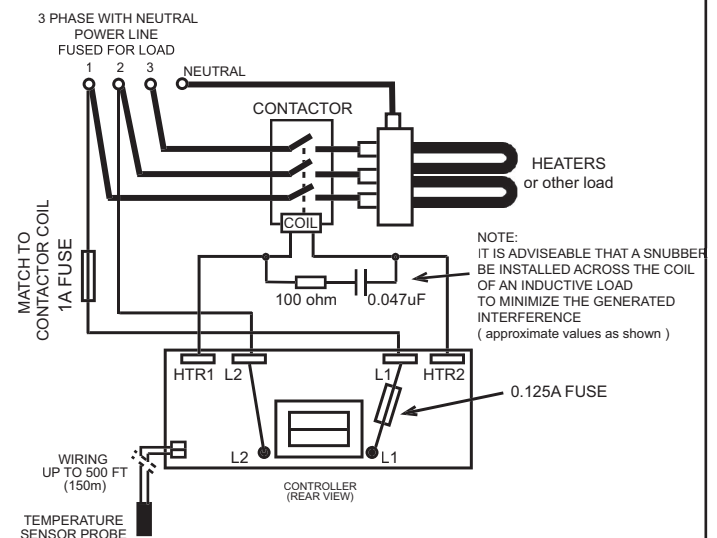
**WIRING USING 3 PHASE POWER LINE
FOR VERY HIGH POWER HEATERS (or other load)
USING EXTERNAL CONTACTOR**

W15



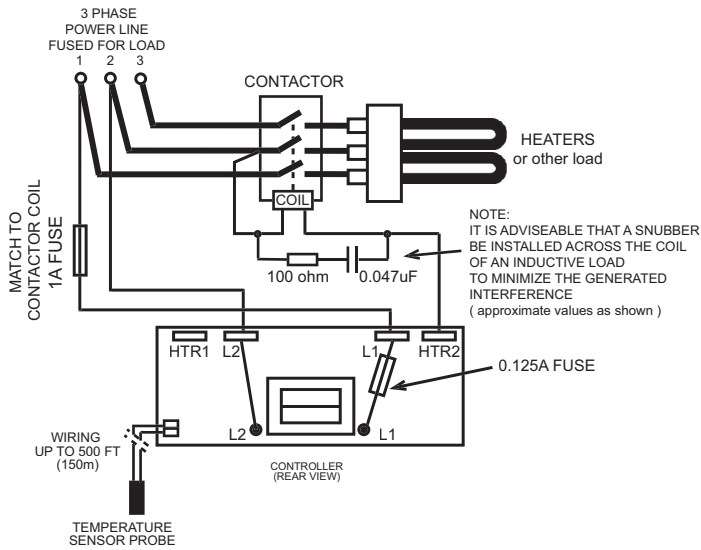
**WIRING FOR LIGHT (OR OTHER LOAD)
ON LOW VOLTAGE POWER LINE
AND HEATERS (OR OTEHER LOAD) ON HIGH VOLTAGE POWER LINE
AND WITH OPTIONAL, ADDITIONAL AUXILIARY RELAY**

W16



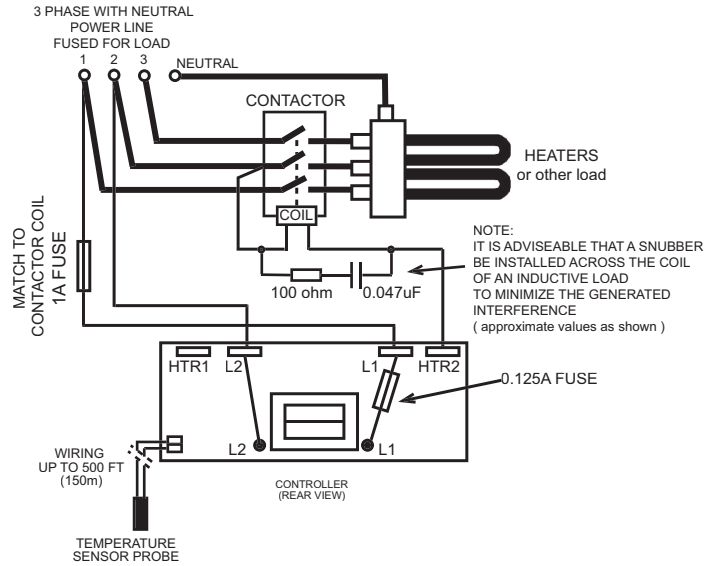
**WIRING USING 3 PHASE POWER LINE WITH NEUTRAL
FOR VERY HIGH POWER HEATERS (or other load)
USING EXTERNAL CONTACTOR**

W17



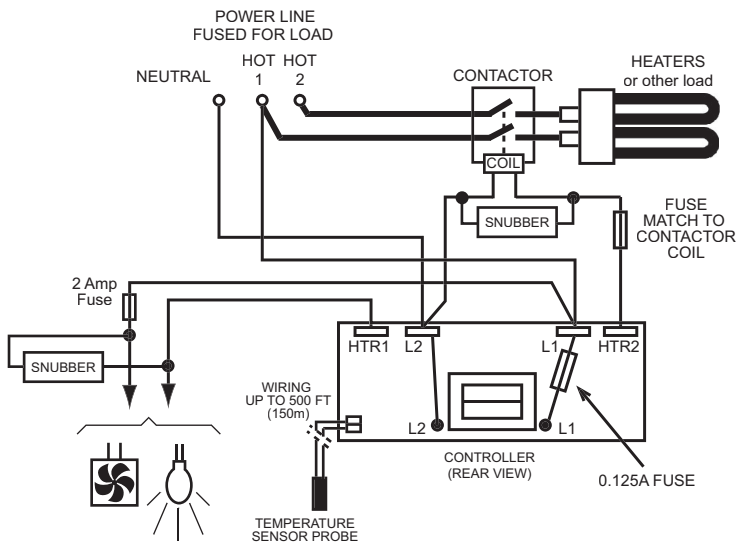
WIRING USING 3 PHASE POWER LINE FOR VERY HIGH POWER HEATERS (or other load) USING EXTERNAL CONTACTOR AND USING ONLY 1 ON-BOARD RELAY

W18



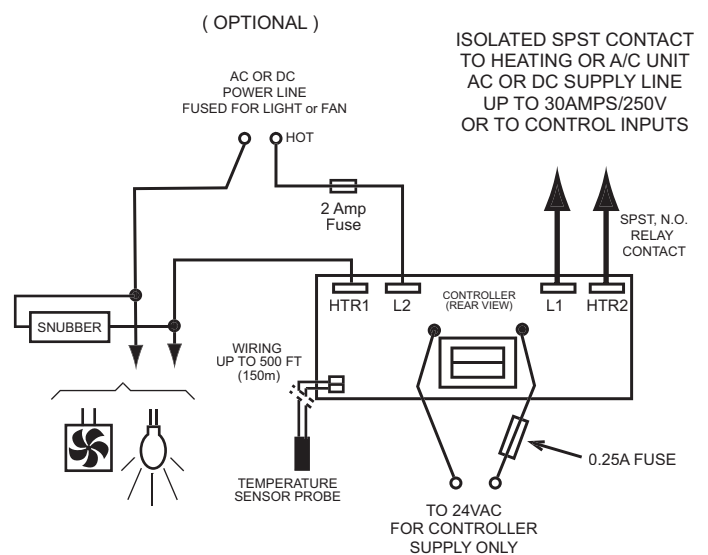
WIRING USING 3 PHASE POWER LINE WITH NEUTRAL FOR VERY HIGH POWER HEATERS (or other load) USING EXTERNAL CONTACTOR AND USING ONLY 1 ON-BOARD RELAY

W19



WIRING FOR VERY HIGH POWER HIGH LINE VOLTAGE HEATERS (or other load) USING EXTERNAL CONTACTOR AND USING LOW LINE VOLTAGE FOR LIGHT (or other load) AND FOR CONTROLLER SUPPLY

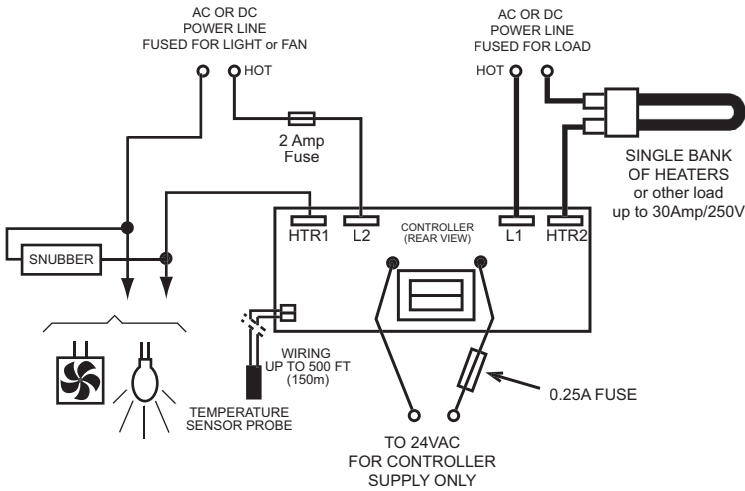
W20



SPECIAL WIRING FOR 24VAC SUPPLY TO CONTROL EXTERNAL AC or DC HEATING OR A/C UNIT AND OPTIONAL AC or DC LIGHT, FAN OR OTHER LOADS (Loads are isolated from each other and from controller supply)

W21

(OPTIONAL)



**SPECIAL WIRING FOR 24VAC SUPPLY
FOR DIRECT SWITCHING OF AC or DC HIGH POWER HEATER (or other load)
AND OPTIONAL AC or DC LIGHT, FAN (or other loads)
(Loads are isolated from each other and from controller supply)**

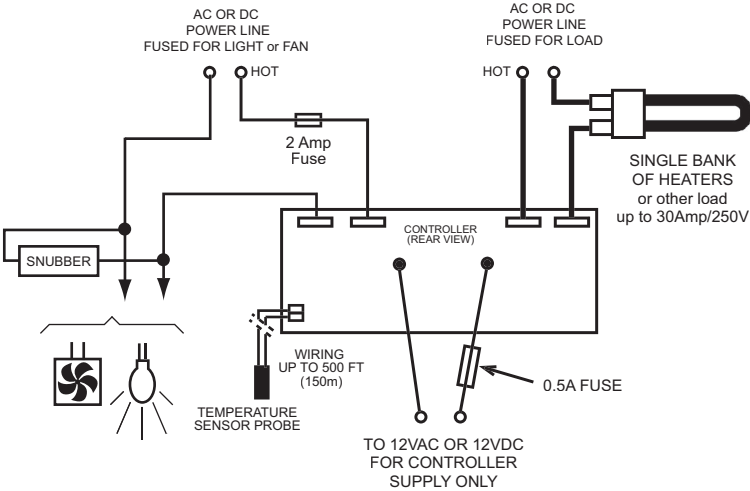
W22



**SPECIAL WIRING FOR 24VAC SUPPLY
FOR DIRECT SWITCHING OF AC or DC HIGH POWER HEATER
USING ONLY ONE ON-BOARD RELAY
(Load is isolated from controller supply)**

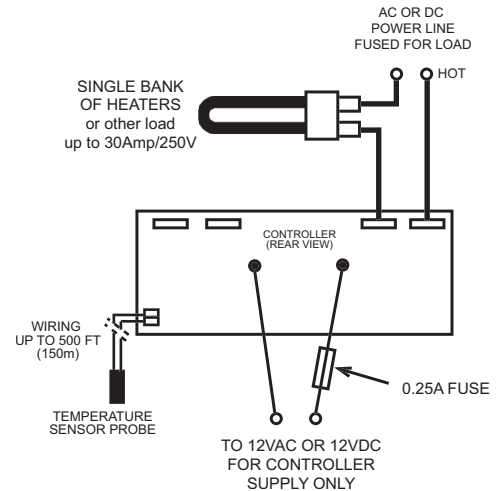
W23

(OPTIONAL)



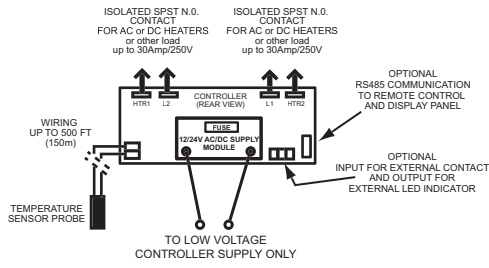
**STANDARD WIRING FOR 12V AC/DC SUPPLY
FOR DIRECT SWITCHING OF HIGH POWER AC or DC HEATER (or other load)
AND OPTIONAL AC or DC LIGHT, FAN (or other loads)
(Loads are isolated from each other and from controller supply)**

W24



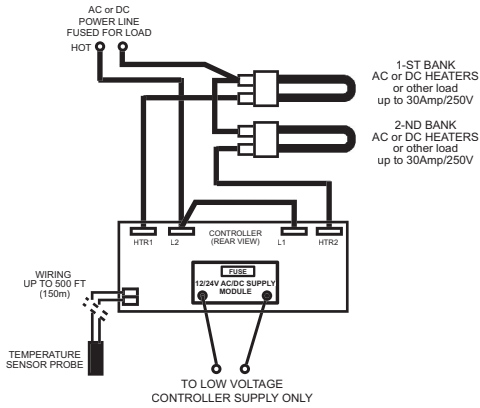
**STANDARD WIRING FOR 12V AC/DC SUPPLY
FOR DIRECT SWITCHING OF AC or DC HIGH POWER HEATER (or other load)
USING ONLY ONE ON-BOARD RELAY
(Load is isolated from controller supply)**

W25



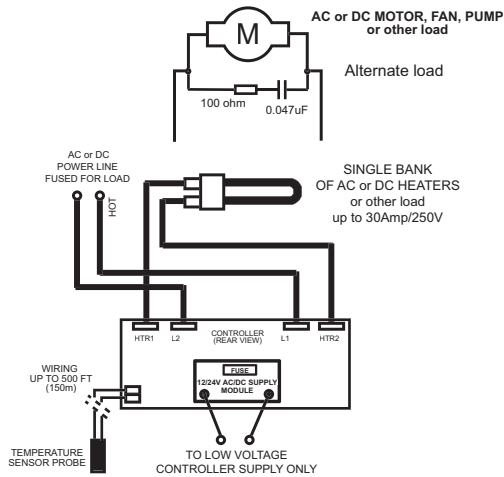
W26

GENERAL WIRING WITH 2 ON-BOARD HIGH POWER ISOLATED RELAYS AND LOW VOLTAGE SUPPLY FOR CONTROLLER
(Loads are isolated from each other and from controller supply)



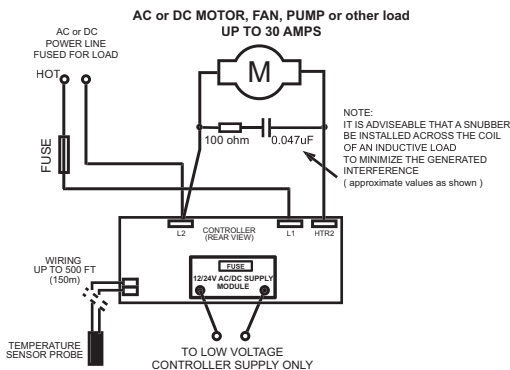
W28

WIRING FOR HIGH POWER HEATERS IN TWO BANKS AND LOW VOLTAGE SUPPLY FOR CONTROLLER
(Load is isolated from controller supply)



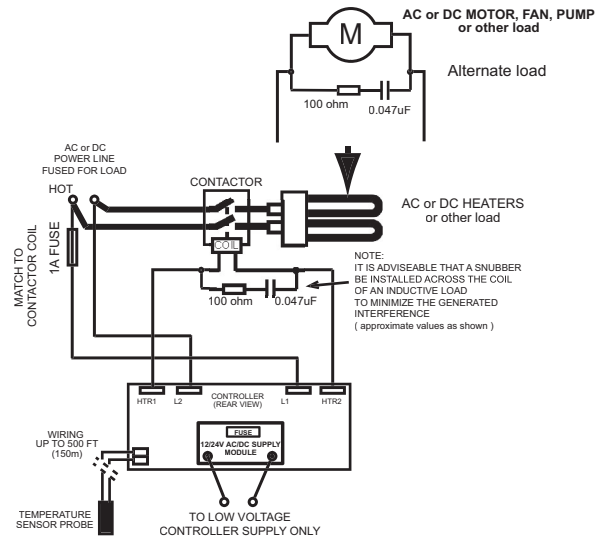
W30

SIMPLE WIRING FOR AC or DC HEATERS (or other load) USING 2 ON-BOARD HIGH POWER RELAYS AND WITH LOW VOLTAGE SUPPLY FOR CONTROLLER
(Load is isolated from controller supply)



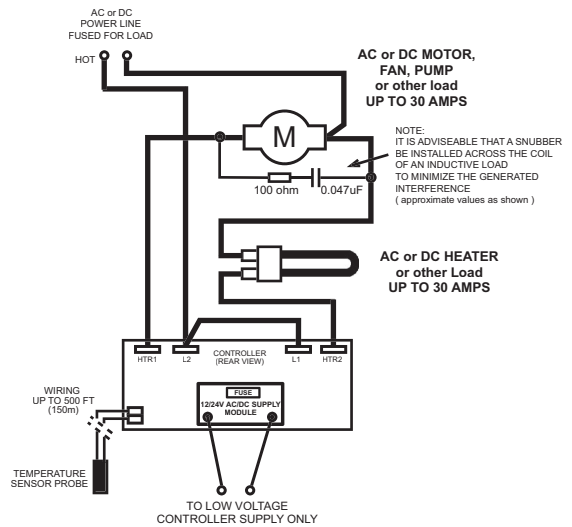
W31

SIMPLE WIRING FOR HIGH POWER AC or DC MOTOR (or other load) USING ONLY 1 ON-BOARD HIGH POWER RELAY AND WITH LOW VOLTAGE SUPPLY FOR CONTROLLER
(Load is isolated from controller supply)



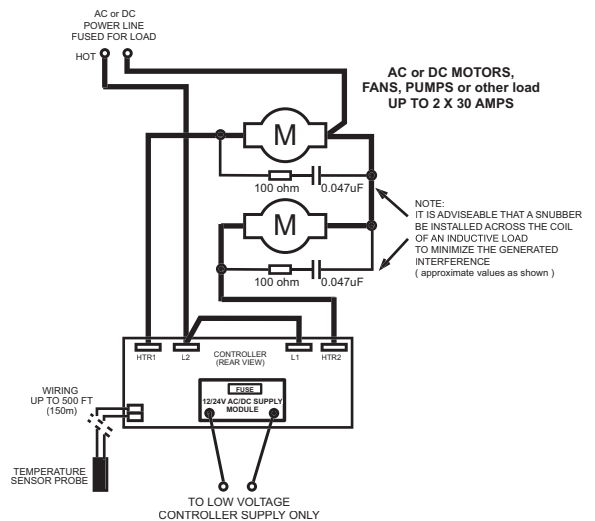
W27

WIRING FOR HIGH POWER AC or DC LOADS USING EXTERNAL CONTACTOR AND WITH LOW VOLTAGE SUPPLY FOR CONTROLLER
(Load is isolated from controller supply)



W29

WIRING FOR MIXED HIGH POWER AC or DC LOADS AND WITH LOW VOLTAGE SUPPLY FOR CONTROLLER
(Load is isolated from controller supply)



W32

WIRING FOR 2 HIGH POWER AC or DC MOTORS (or other load) AND WITH LOW VOLTAGE SUPPLY FOR CONTROLLER
(Load is isolated from controller supply)